

PLEASE KEEP ME WITH YOUR PROOF OF PURCHASE FOR FUTURE REFERENCE



## ASSEMBLY INSTRUCTIONS

### 120cm Round Table







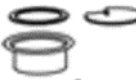
#### ATTENTION:

1. Please read these instructions carefully before assembly
2. Aluminium is soft metal and over tightening may strip thread or break the part
3. **DO NOT** use power tools
4. Please allow 30 minutes for assembly
5. Although assembly only requires 1 person it is advised that a second person be present to help turn the table over and into position when fully assembled.

#### ASSEMBLY STEPS:

1. Turn the table top frame (A) upside down on a soft clean surface
2. Place glass in safe place whilst assembling table
3. **LOOSELY** attach legs (B) to table top (A) with bolts (D) and big flat washers (E) using spanner (F) **DO NOT TIGHTEN THE BOLTS AT THIS STAGE**
4. Tighten all bolts using spanner one by one being careful not to over tighten any as this will cause the thread to become damaged
5. Turn table top over and place in desired position
6. Place glass (C) back on table and gently press down to ensure glass is secure, then put parasol bungs & reducers (G) into the hole

For more information regarding maintenance of your furniture please visit <http://www.hartmanuk.com>

Component's					Fixings				
Parts List	Parts Picture	Description	Q'ty	Part no	Parts list	Parts Picture	Description	Q'ty	Part no.
A		Table Top frame	1	69112012A	D		M6*20mm bolt	16	1017162
					E		Big Flat washers	16	1061162
B		Legs	4	69112012B	F		Spanner	1	2002191
C		Glass	1	69112012C	G		Parasol bungs & reducers	3	2049164

For replacement or lost spare parts please go to <http://faq.hartmanuk.co.uk/spares/>

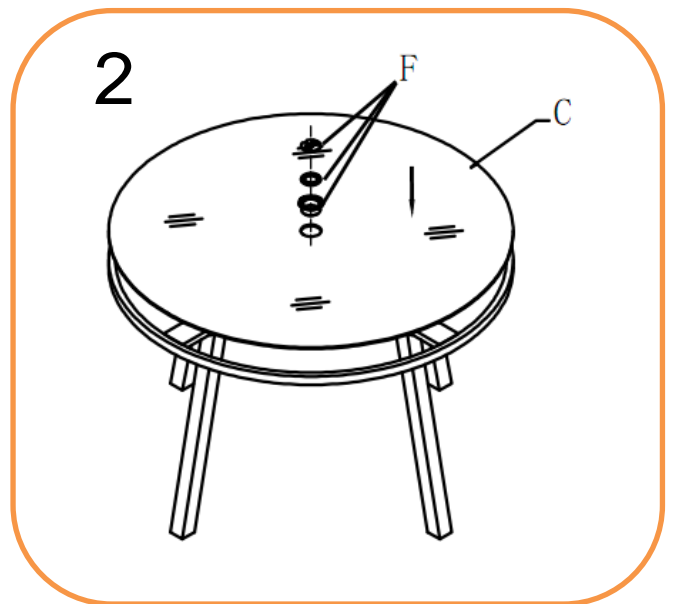
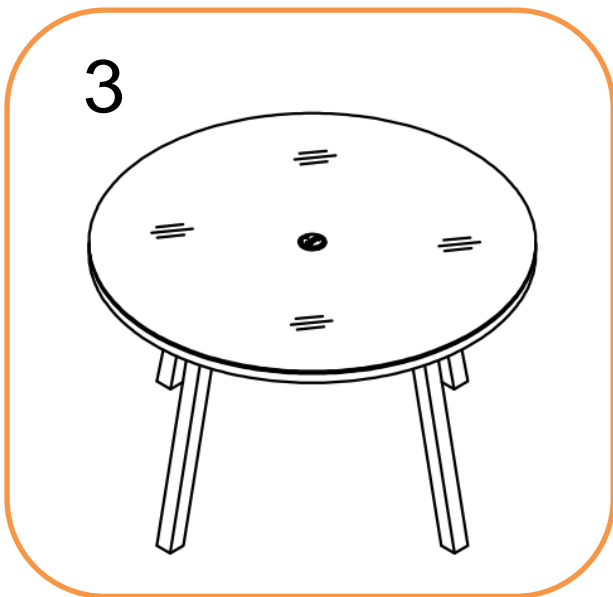
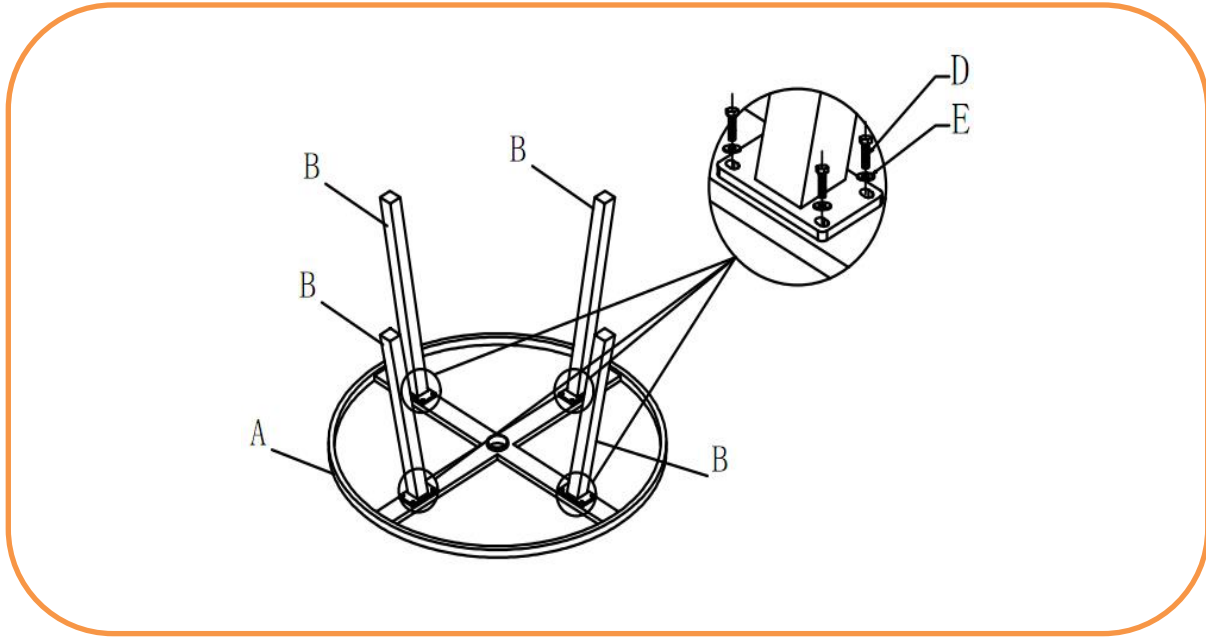
**Should you have any queries about your furniture your first point of contact should be the retailer from whom you purchased your product**

PLEASE KEEP ME WITH YOUR PROOF OF PURCHASE FOR FUTURE REFERENCE



### ASSEMBLY INSTRUCTIONS

#### 120cm Round Table



For replacement or lost spare parts please go to <http://faq.hartmanuk.co.uk/spares/>  
Should you have any queries about your furniture your first point of contact should be the retailer from whom you purchased your product